



**Audio Specialties Group
Products Division**

**MAS-514
Receive Pre-Amplifier
Technical Specifications**

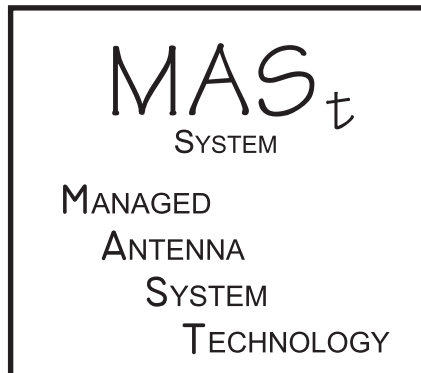


TABLE OF CONTENTS

SECTION 1	INTRODUCTION	3
SECTION 2	FEATURES	3
SECTION 3	OPERATION	3
3.2	PANEL LAYOUTS	4
3.3	CONNECTING TO MODULES	5
SECTION 4	SPECIFICATIONS	6

SECTION 1 INTRODUCTION

The MAS-514 Receive Pre-Amplifier is a 1-HP (horizontal pitch) module that is compatible with the ASG MAS-Rack Series 500 system. It is available in several electrical configurations: Dual-channel, 20dB Gain wide-band, single channel 30dB wide band or high-headroom 15dBm wide-band version. Additionally, user specified narrow-band versions with a variety of gain values can be accommodated.

SECTION 2 FEATURES

Power and control data for the MAS-514 are provided by an MAS-502 Master Controller Module. The MAS-514 can be equipped with various RF performance specifications. The MAS-514 is not dependent on the MAS-500 Series MAS-BUS data control.

SECTION 3 OPERATION

3.1.1 Connections

Each Channel, identified as A and B, have an Input and Output BNC connector. The interior circuits are DC protected. The outputs of an energized amplifier channel should be terminated with a 50 ohm terminator. Though no damage should occur, excessive heat may be generated even with no RF signal on the input.

DC power and data are via a 5-Pin 3mm spaced connector at the top edge of the rear panel. A supplied MAS-Bus Cable is used to connect the MAS-514 to the MAS-502 Master Module.

The MAS-514 is designed to amplify receive level RF energy. It is not intended to amplify the output signals of transmitters. (See Section-4 "Specification" for maximum ratings)

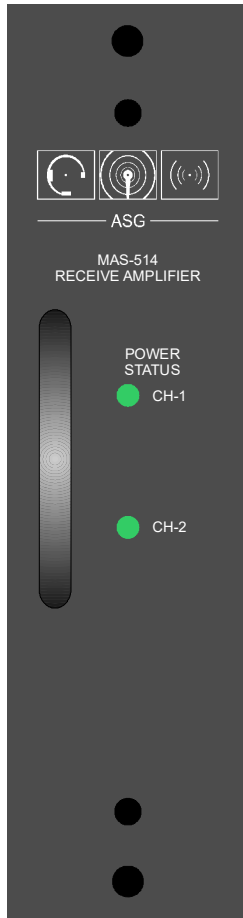
Single channel units will have a placard on the front panel indicating that the unit only has one channel of amplification.

3.1.2 Status Reporting

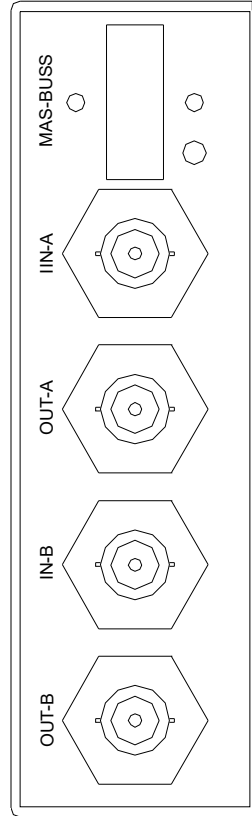
Each amplifier channel is energized with an individual power supply circuit. The voltage of each supply is adjustable but is set at the factory for compatibility with the amplifier installed for that channel. The power supply regulator has short circuit and thermal protection. Front panel indicators are provided to give a local visual indication of the supply status.

3.2 PANEL LAYOUTS

3.2.1 Front Panel Layout

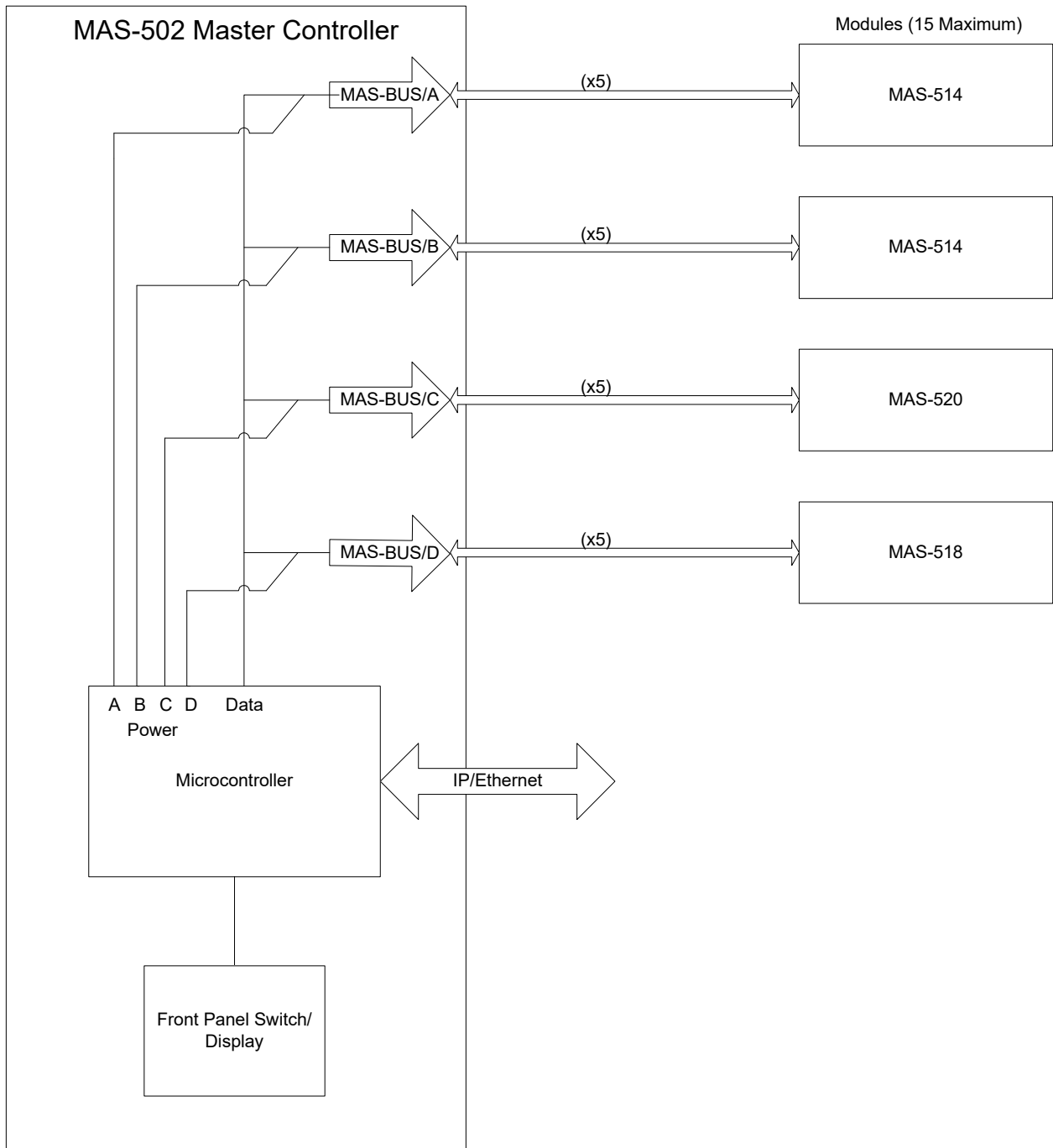


3.2.2 Rear Panel Layout



3.3 CONNECTING TO MODULES

System Block Diagram



SECTION 4 SPECIFICATIONS

4.1 Connector Pin Assignment

4.1.1 MAS-BUS Connector Pin Assignment

Pin #	Function
1	Power Ground
2	RS-485 Data – (Optional)
3	RS-485 Data + (Optional)
4	+20-24V DC, current limited.
5	Power Ground

4.2 Electrical Specifications

4.2.1 Dual Channel, 20dBm Gain Version

RF Bandwidth:	10MHz to 1GHz.
Noise Figure:	2.9dB
Maximum output:	+3Bm
Maximum Input level:	+5dBm with no damage
#3rd Intercept Point (IP3):	+14dB

4.2.2 Single Channel, 30dBm Gain Version

RF Bandwidth:	685MHz to 1.4GHz.
Noise Figure:	1.2dB
Maximum output:	+24Bm
Maximum Input level:	+10dBm with no damage
#3rd Intercept Point (IP3):	+40dB
MAS-BUS Current draw:	500mA (Single Channel)

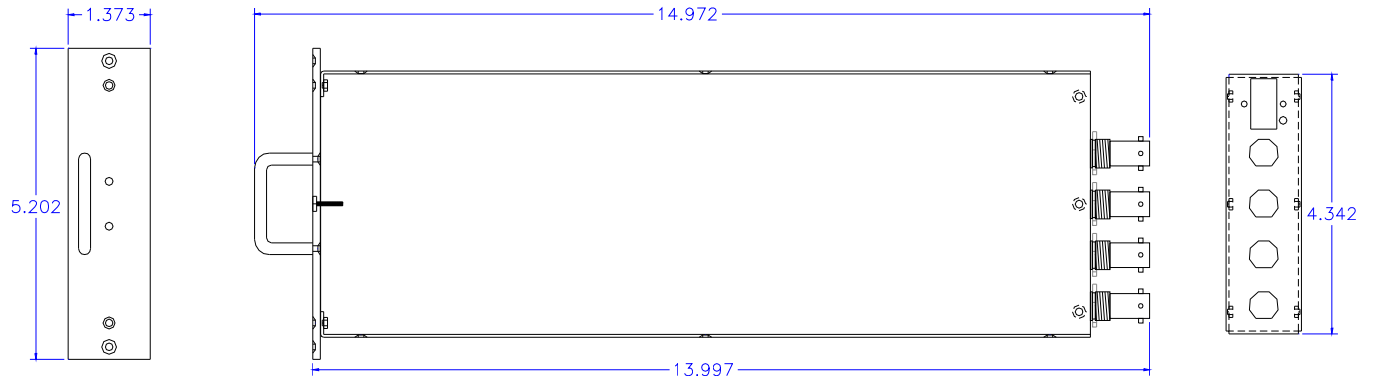
4.2.3 Single and Dual Channel, 15dBm Gain Version

RF Bandwidth:	500MHz to 1.2GHz.
Noise Figure:	2.4dB
Maximum output:	+23Bm
Maximum Input level:	+24dBm with no damage
#3rd Intercept Point (IP3):	+45dB
MAS-BUS Current draw:	170mA (Single Channel) 320mA (Dual Channel)

4.3 Operational Conditions

Temperature 20 Degrees Celsius to 60 Degrees Celsius

4.4 Mechanical Parameters



Specifications subject to change without notice.

Measured Performance (MAS-514)

Serial # _____

CH-1

Device: _____

Average Gain: _____

Start: _____ End: _____

Maximum input level without damage: _____

CH-1

Device: _____

Average Gain: _____

Start: _____ End: _____

Maximum input level without damage: _____